



Water Transport Trailers

Water Trailer

The 1010 EP-DOT Series Trailer allows you to transport water safely while legally driving on state roads. Each trailer is equipped with a Honda® engine, a Banjo® pump and a DOT light kit (lights, brakes & fenders that comply with DOT standards). The 1,010 gallon DOT trailers feature the tank Pin Mount™ system.

Ideal for commercial, construction, and industrial applications.

Dependable Water Transportation

Durable and reliable, this water tank and trailer package is fully compliant with DOT regulations.

- **Hose Mounted Reel**
- **Comes with Pressurized Garden Hose Bib**
- **Includes Suction and Discharge Hose**
- **Warranty**
 - ◊ **10 Year Tank**
 - ◊ **3 Year Honda 5.5 hp Engine**
 - ◊ **1 Year Water Pump**
 - ◊ **1 Year Trailer Frame**
- **Rear Spray Dust Nozzles**

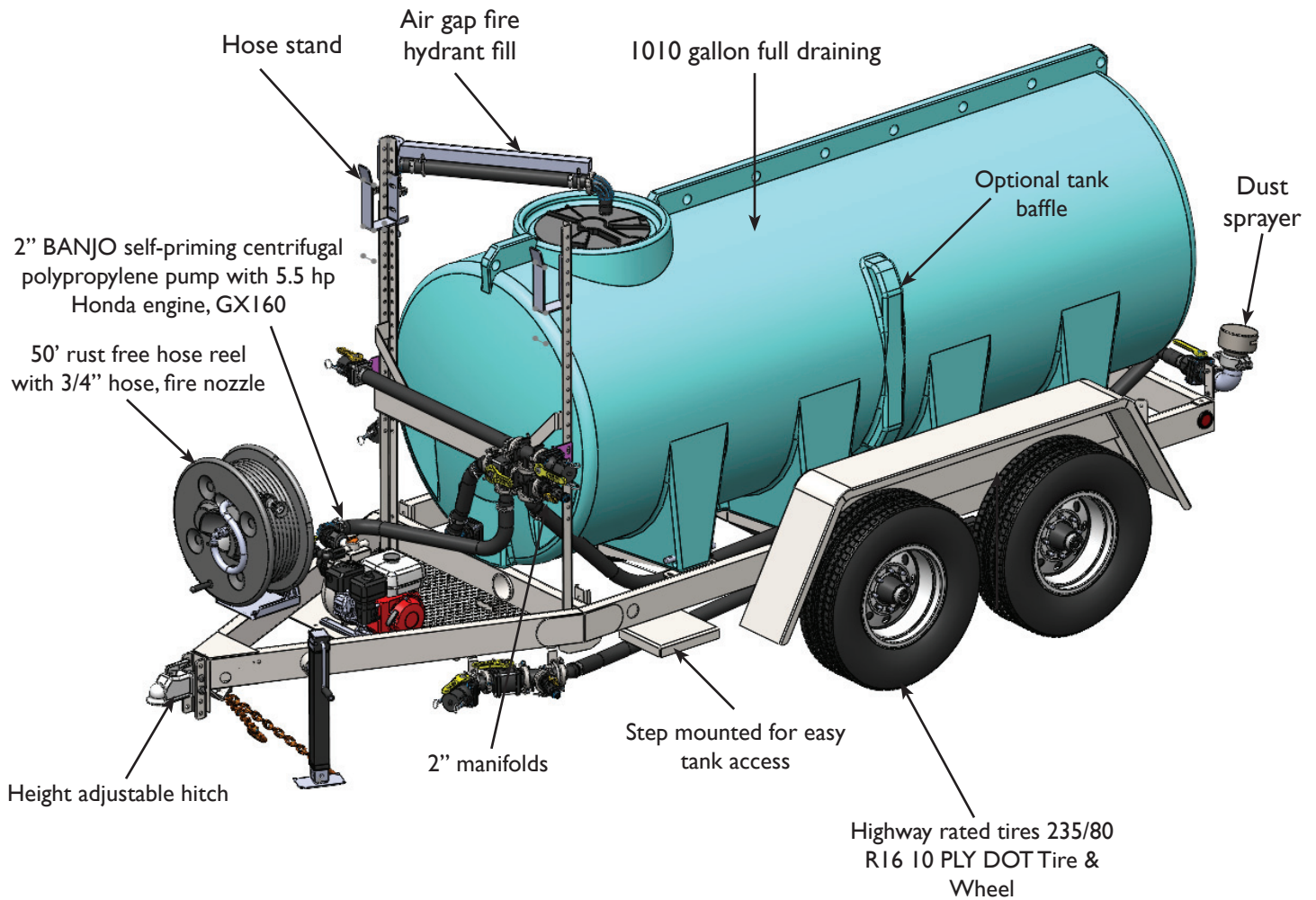


EP-DOT Water Trailer - 1010 gallon

Length	195"
Width	73"
Height	78"
Hose Size	2"/Black Fertilizer
Size (US Gallons)	1,010
Dry Weight (lbs)	1,650
Tires	235/80 R16 10 PLY DOT Tire & Wheel
DOT Compliant	Yes
Frame Construction	6" x 2" Rectangle Tubing
Axle (s)	2 x 7,000 lbs. Slipper Spring
Tank Type	Poly sump bottom transport tank
Hitch Type	20,000 lbs. 2-5/16" Ball
Brakes	Electric with emergency breakaway (2 x Axle)
Fenders	Yes
Electrical Plug	7 Pole RV Plug
Motor	Honda® GX160 5.5 HP
Pump	2" Banjo® Centrifugal Poly, 195 GPM
Valve Fittings	2" Banjo® sweep manifold
Lights	DOT compliant clearance, stop, turn, tail, license



EP-DOT Water Trailer - 1010 gallon



Features

- Electric Brakes, Fenders, & LED Lighting
- 5.5 hp Honda GX160 engine
- 2" Banjo Self-Priming Centrifugal Polypropylene Pump, 195 gpm/45 psi
- Highway Rated 235/80 R16 10 PLY DOT Tires & Wheels
- 50' Rust Free Hose Reel with 3/4" Hose, Fire Nozzle
- Adjustable Hitch
- Optional Water Tank Baffle

Benefits

- Fully DOT Compliant for Public Roadway Transportation
- Small Turning Radius and Easy to Maneuver
- Built for Heavy Hauling, On or Off Road
- Designed for Stable Weight Distribution
- Low Maintenance
- Controlled Water Use
- Sprays Water Where You Need It

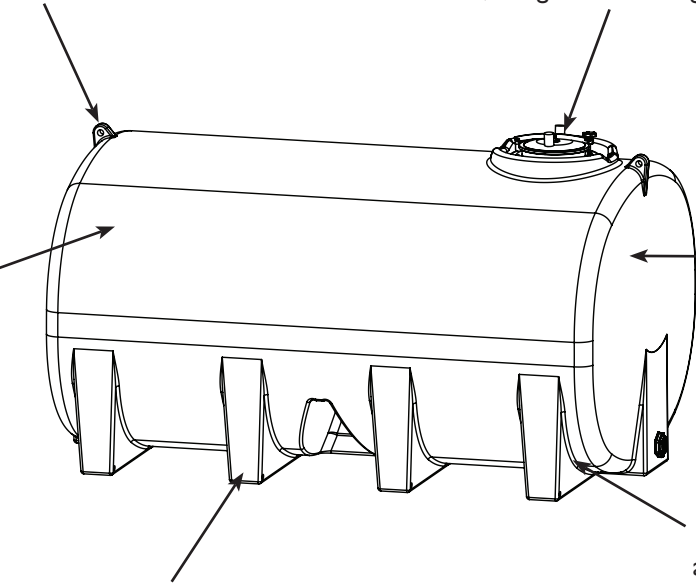
EP-DOT Water Trailer - 1010 gallon

LIFTING-LUGS™
Built-in and engineered to take the *weight of the tank, these make lifting the tank on and off the trailer a breeze. *Dry Weight Only

ANTI-SPLASH™ STAINLESS LID
Lockable and spill-proof, this lid keeps liquid in while traveling on rough terrain. (Only on tanks 1,600 gallons and larger).

THICK-WALL™ DESIGN
Extra-thick walls provide unmatched strength and durability.

ROTO-MOLD CONSTRUCTION
When cooked and cooled at an even rate, the raw material is bonded together to make this tank virtually indestructible.



SINGLE-PIECE™ CONSTRUCTION
Rotationally-molded in a single mold means the tank is seamless, water-tight and leak-proof.

PIN-MOUNT™ SYSTEM
The molded-in mounting lugs combined with heavyduty steel pins will keep this tank fixed without movement. No hoops. No bands. No maintenance.

Freight savings, shorter lead times, delivered fully assembled

There's no need to wait for the ridiculous lead times of today's world - we always keep a supply of the EP-DOT trailers in production.

